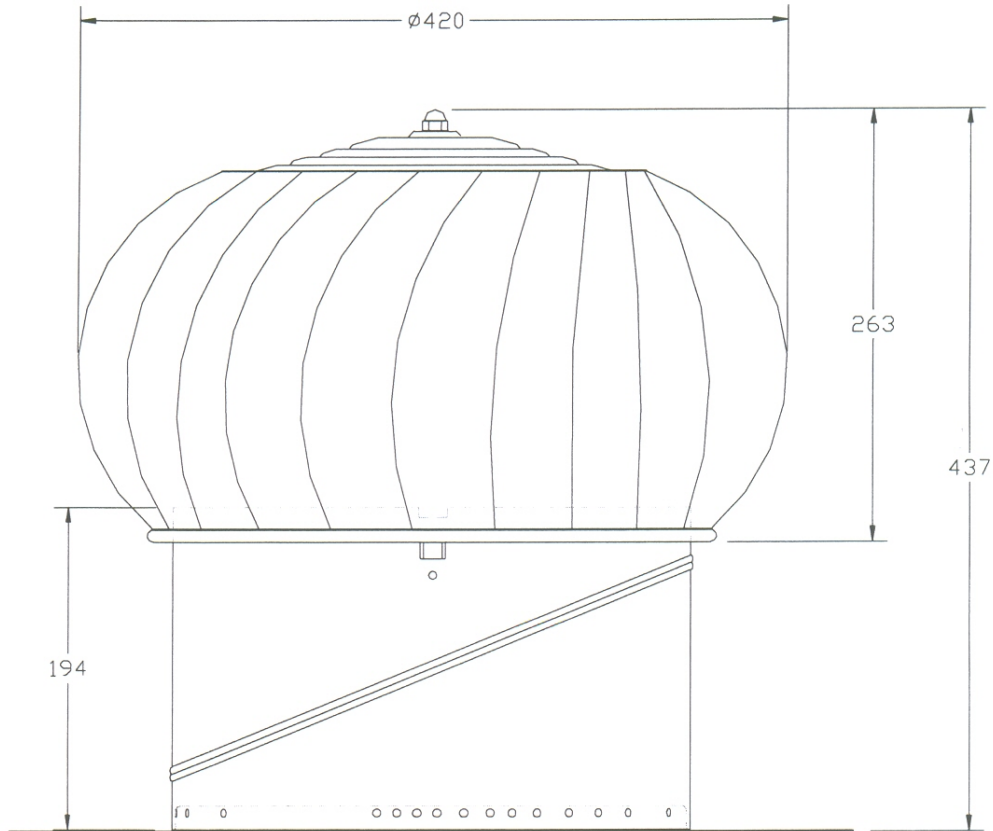


# WINDMASTER

DATE: 9 November 2000



## SPECIFICATIONS:

MATERIAL:	Top:	All aluminium with glass filled nylon main bearing housing
	Shaft:	Zinc passivate plated mild steel
	Varipitch:	Aluminium
	Flashing:	500x500x0.7mm soft aluminium
ROTATION BEARINGS:		Twin 608ZZ ball bearings (high carbon chromium steel)
WEIGHT:	Top:	1.1kg
	Varipitch:	0.4kg
	Flashing:	0.4kg
	Total:	1.9kg
WIND SPEED RATING:		158.4km/h (44m/s) – Performance level 2 (As per AS 4740:2000 Natural ventilators-Classification and performance)

Tolerances: Size +/- 3mm  
Weight +/- 0.1kg