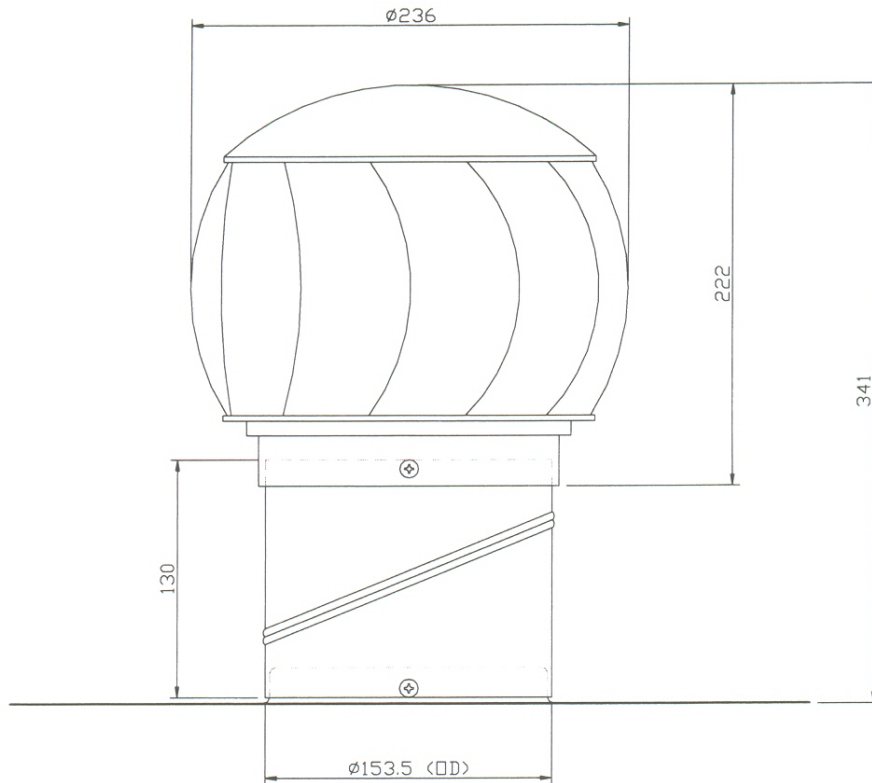


TURBO VENTURA

DATE: 9 November 2000

REVISED: 8 March 2005



SPECIFICATIONS:

MATERIAL:	Top:	ASA Plastic
	Shaft:	Aluminium
	Varipitch:	Aluminium
	Flashing:	430x430x0.7mm soft aluminium
ROTATION BEARINGS:		Twin 608ZZ ball bearings (high carbon chromium steel)
WEIGHT:	Top:	0.7kg
	Varipitch:	0.1kg
	Flashing:	0.4kg
	Total:	1.2kg
WIND SPEED RATING:		205.2km/h (57m/s) – Performance level 1 (As per AS 4740:2000 Natural ventilators-Classification and performance)

Tolerances: Size +/- 3mm
Weight +/- 0.1kg