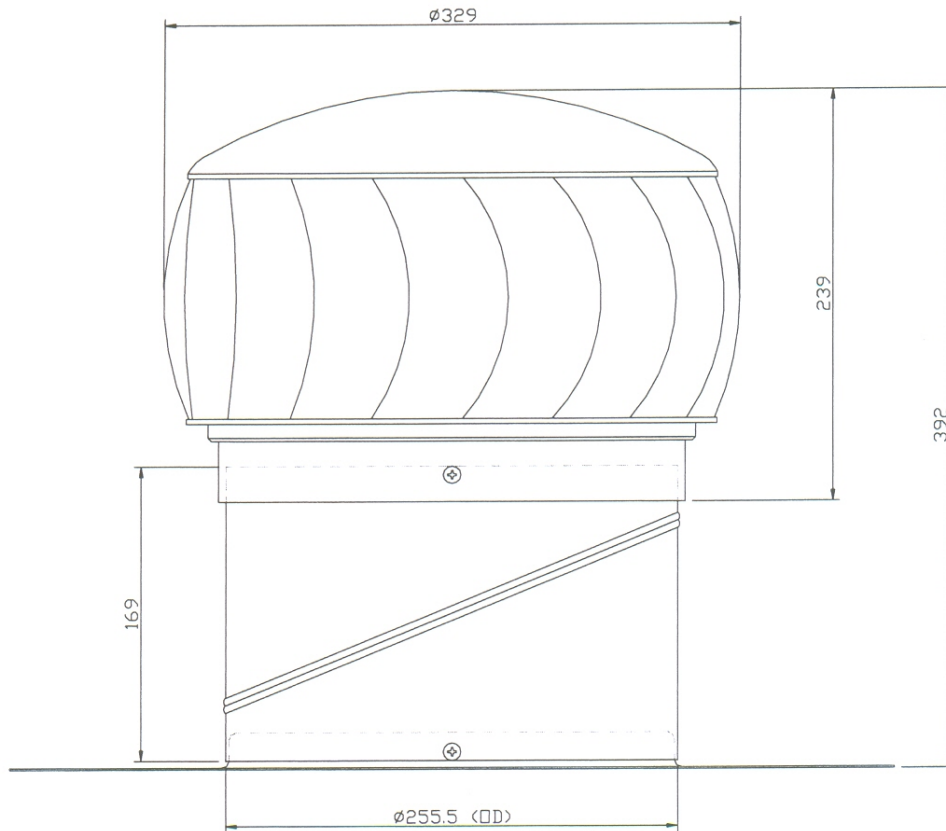


# TURBOBEAM

DATE: 24 May 2005



## SPECIFICATIONS:

MATERIAL:	Top:	High impact acrylic (PMMA) – excluding dome
	Dome:	Medium impact acrylic (PMMA)
	Shaft:	Aluminium
	Varipitch:	0.7mm internally polished and anodised reflective aluminium
	Flashing:	500x500x0.7mm soft aluminium
ROTATION BEARINGS:		Twin 608ZZ ball bearings (440 stainless steel)
WEIGHT:	Top:	1.2kg
	Varipitch:	0.3kg
	Flashing:	0.4kg
	Total:	1.9kg
WIND SPEED RATING:		205.2km/h (57m/s) – Performance level 1 (As per AS 4740:2000 Natural ventilators-Classification and performance)
Tolerances:	Size +/- 3mm	
	Weight +/- 0.1kg	